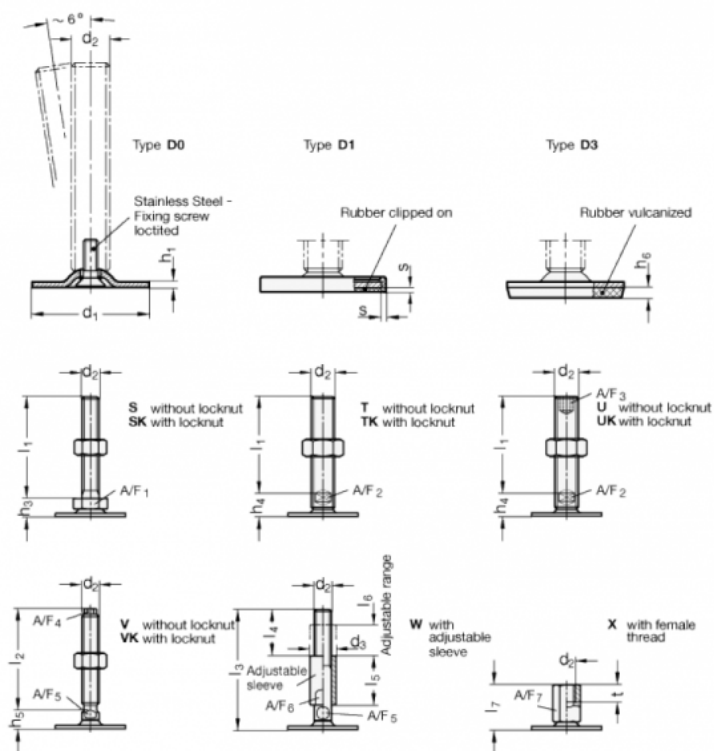


Article number: 204160M1637D0X
 Description: E+G levelling foot
 GN 41-60-M16-37-D0-X
 Note: X With female thread, External hexagon

Measures



A/F7 = 22
 d_1 = 60
 d_2 = M16
 h_1 = 2.5
 h_6 =
 l_7 = 37
 s =
 t = 16